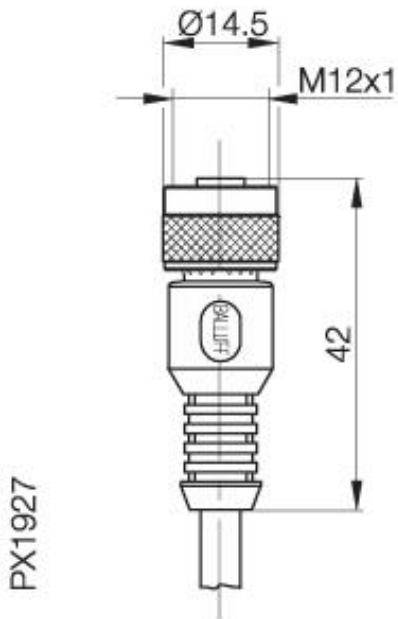


Accessories: Connectors

BKS-B 19-1-



Common Data

Version	Connector, straight, 3-pins, without LED
Usable with	on Sensors with connection S4 (NO, M12)
Ambient temperature	-25°C...+85°C

Mechanical Data

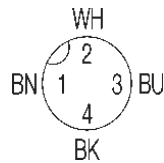
Material	PVC / PUR
Protection class per IEC 60529	IP67
Cable version	molded-on (3xLi12Y)-11Y-0/black
Conductor cross section	3x0,34

Electrical Data

Supply voltage	125 AC/150DC
----------------	--------------

Remarks

no



Datasheet number::

Definitions see general catalog.
If not otherwise noted, ratings according to
IEC 60947-5-2 (DIN EN60947-5-2)

Balluff GmbH
Schurwaldstrasse 9
73765 Neuhausen a.d.F.
Phone (07158) 173-0 Fax (07158) 5010

Datenblatt by CD-ROM - 04/2007

BALLUFF
sensors worldwide